



# DORMA INTERIOR

---

PURE ENCLOSE® 22CH/20CH  
Glass Wall Systems

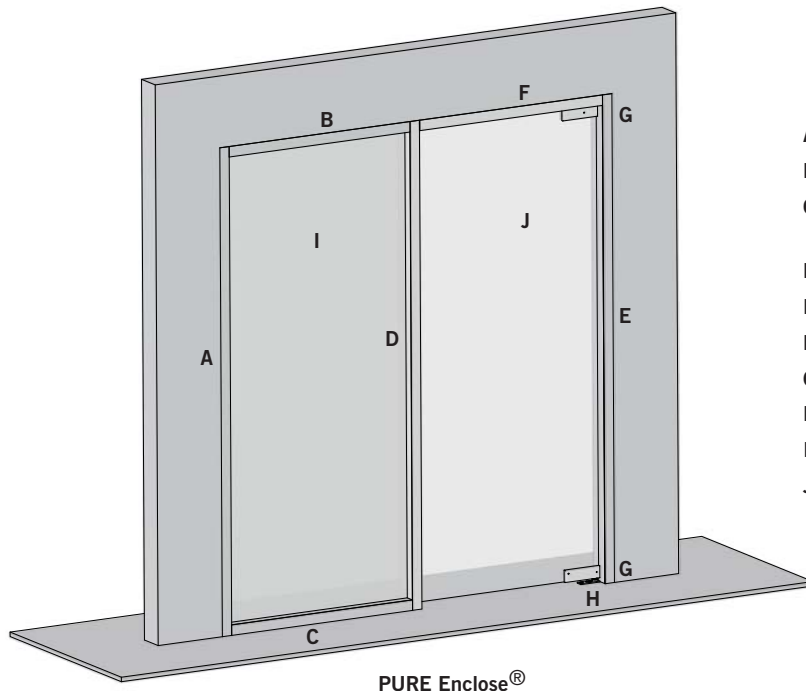
Installation instructions  
For Framed Pivoting Door Systems

# TABLE OF CONTENTS



<b>Overall view</b>	PURE Enclose®	3
<hr/>		
<b>Technical specifications</b>		
	General	
	Mounting	
	Maintenance	3
<hr/>		
<b>Pre-installation measurements and tips</b>		
	Door frame alignment	
	Daylight opening	4
<hr/>		
<b>INSTALLATION INSTRUCTIONS</b>		
<b>OPTION 1 - PURE Enclose® System: Concealed overlead closer (RTS88) &amp; Floor Pivot (355.6)</b>		
	Vertical sidelite post 'A' and vertical jamb post 'E'	5
	Sidelite header assembly 'B'	6
	Sidelite sill assembly 'C'	7
	Install header/top pivot 'F' (RTS88)	8
	Mounting bracket and I-post mounting bracket	9
	Install sidelite glass panel	10
	Vertical strike post/I-post 'D'	11
	Install top (PT22) and bottom (PT10) patch fittings	12
	Install floor pivot 'H' (355.6)	13
	Install glass door panel	14
<hr/>		
<b>OPTION 2 - PURE Enclose® System: Free Swing: Top pivot (PT21 walking beam pivot) &amp; Floor pivot (355.6)</b>		
	Vertical sidelite post 'A' and vertical jamb post 'E'	15
	Sidelite head assembly 'B'	16
	Sidelite sill assembly 'C'	17
	Install top pivot (PT21)	18
	Mounting bracket and I-post mounting bracket	19
	Install sidelite glass panel	20
	Vertical strike post/I-post 'D'	21
	Install top (PT20) and bottom (PT10) patch fittings	22
	Install floor pivot 'H' (355.6)	23
	Install glass door panel	24

## Overall view



- A. Vertical sidelite post
- B. Sidelite header assembly
- C. Sidelite sill extrusion assembly
- D. Vertical strike post/l-post
- E. Vertical jamb post
- F. Header with closer/pivot
- G. Patch fittings
- H. Floor closer/floor pivot
- I. Sidelite glass panel
- J. Pivot door glass panel

## Technical specifications

**Important safety-related information for the mounting and use of DORMA glass hardware.**

(Follow these instructions in addition to the mounting and operating instructions in order to avoid damage of product and damage to person or property.)

**Important: This document is intended to inform users of safety-related information and the mounting and operation instructions.**

### General information

1. DORMA requires use of tempered laminate or monolithic glass.
2. DORMA glass hardware is not suitable for application in rooms where chemicals (e.g. chlorine) are used as indoor swimming pools, saunas or salt-water pools.
3. Never move sliding panels faster than walking speed and always stop the door manually before it reaches end position.
4. Do not swing doors with excessive force. Install limiting stop to prevent door from opening too far.

### Mounting

1. Only properly qualified and specially trained staff is authorized to mount DORMA glass hardware.
2. Never use glass with conchoidal fractures and/or damaged edges.

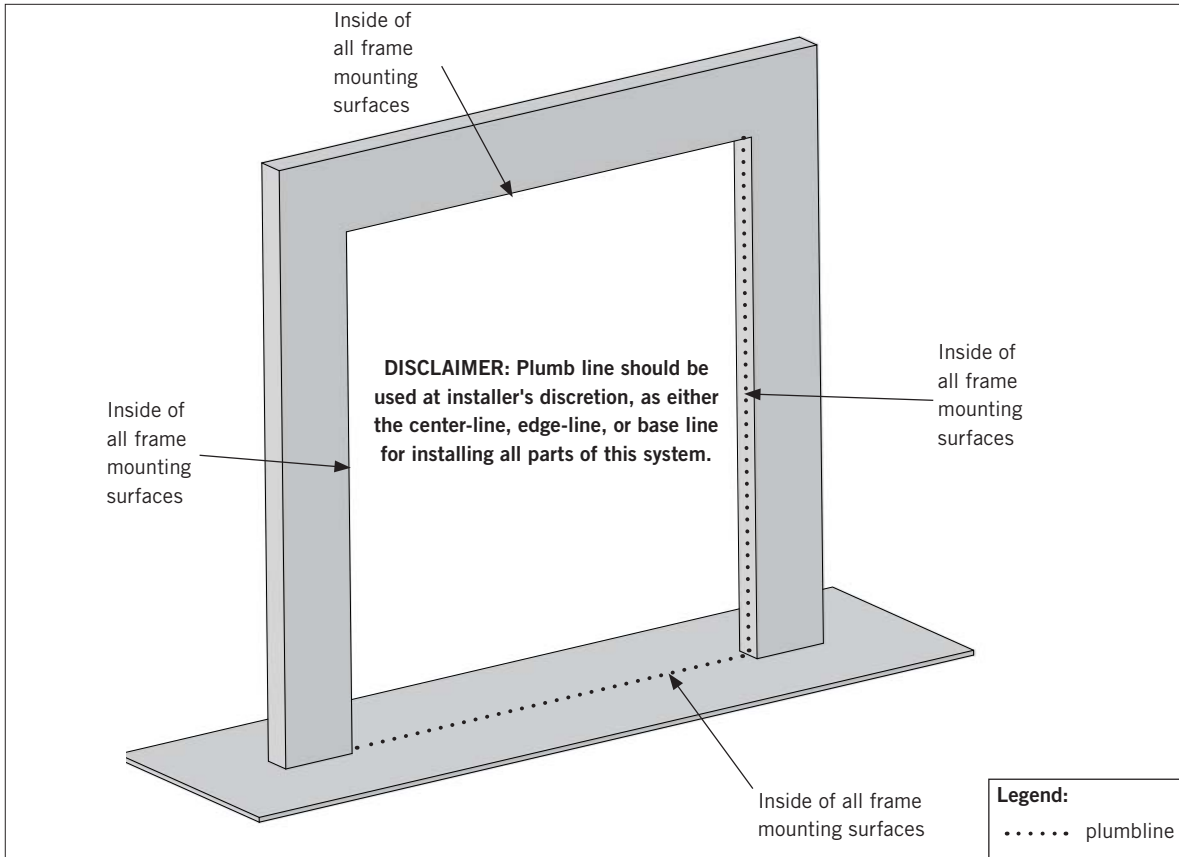
3. Due to crushing hazards and possible injury caused by breakage of glass during mounting, corresponding protective clothing (especially gloves and protective goggles) is required.
4. Clean clamping area with alcohol-based standard commercial cleaning agent before mounting the glass hardware.
5. Never clamp metal glass fitting hardware directly to glass surface.
6. Never use clamping roller carriers on self-cleaning coatings.
7. When adjusting glass elements, always stick to the required clearance for the respective hardware. Adjust clearance so glass does not come in contact with any hard surfaces such as glass, metal or concrete.
8. Do not use excessive force when installing the glass (avoid over tightening screws).

### Maintenance

Check glass hardware at regular intervals for proper positioning and smooth operation and correct adjustment. High traffic door systems require inspection by properly qualified staff (specialized companies or installation firms). Immediately replace damaged glass elements (no glass flaking and/or conchoidal fractures)! Only use suitable cleaning and care products to clean the surfaces.

## Pre-Installation Measurements and Tips

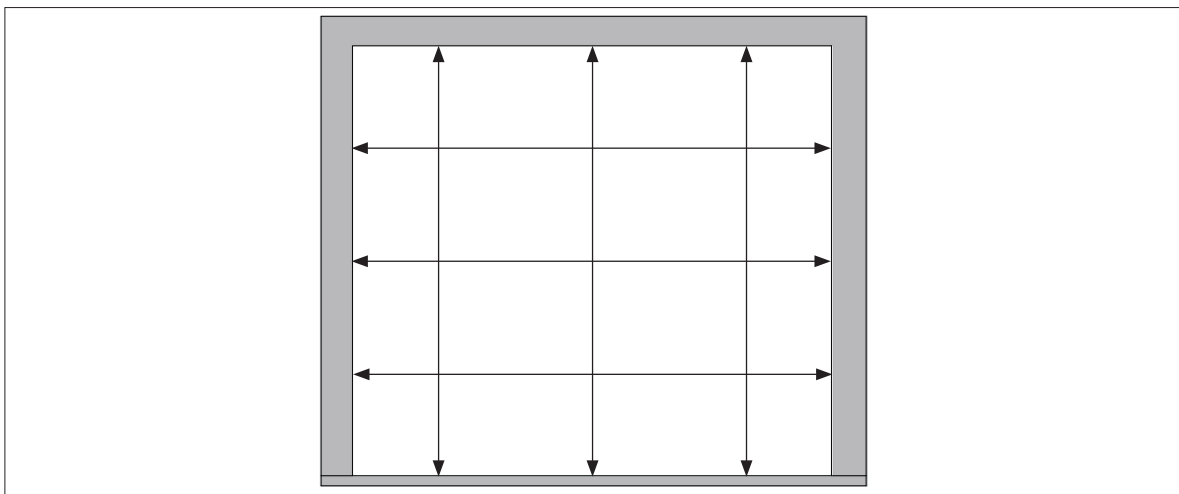
### Door frame alignment



Mark a plumb line around the entire inside perimeter of the frame.

**NOTE: Ensure walls, floor and ceiling mounting surfaces are plumb and level.**

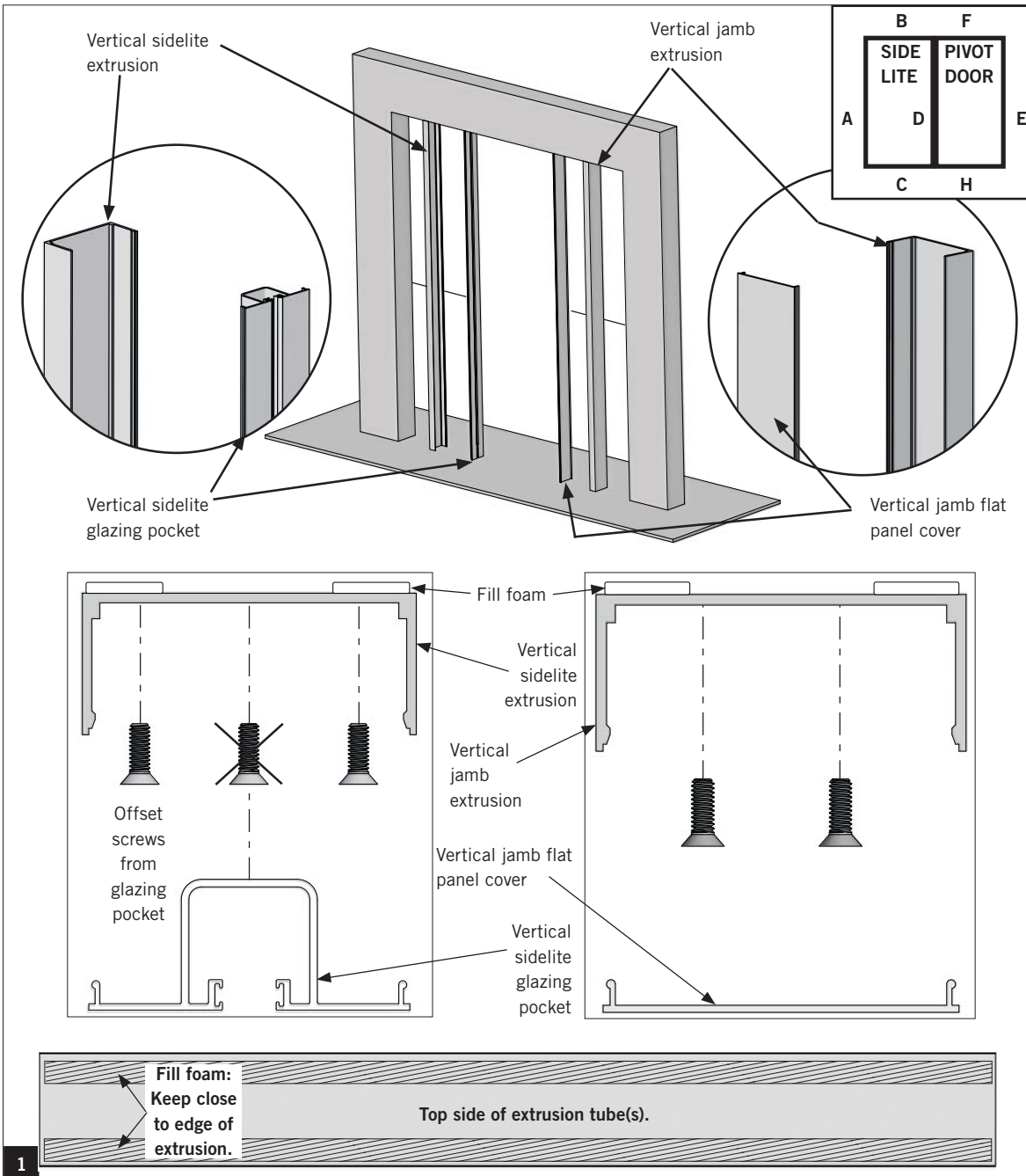
### Daylight opening



1.1 Measure your clear opening [full height].

## OPTION 1 - PURE Enclose® System: Concealed Overhead Closer (RTS88) & Floor Pivot (355.6)

### Vertical sidelite post 'A' & Vertical jamb post 'E'

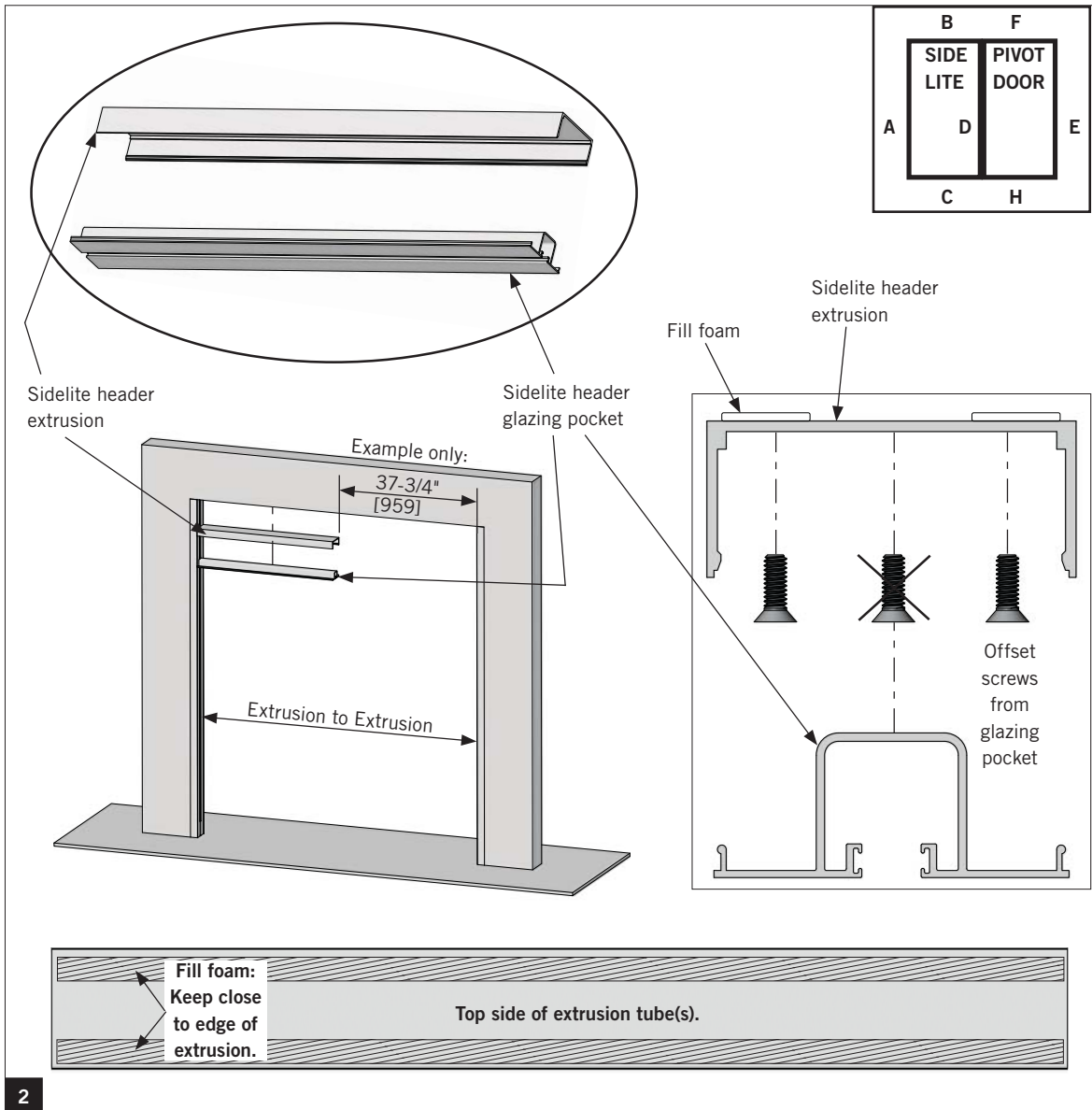


- 1.1 Measure and cut channel at full height.
  - 1.2 Disassemble post parts.
  - 1.3 Pre-drill holes.
- NOTE: Offset screws from glazing pocket.**
- NOTE: Add fill foam where necessary.**
- 1.4 Align channel with plumb line.
  - 1.5 Secure channel to frame.

- Vertical sidelite post 'A':**
- 1.6 Trim Dri-fit® gaskets.
  - 1.7 Snap glazing pocket into extrusion.
- Vertical jamb post 'E':**
- 1.8 Snap on flat panel cover.

## OPTION 1 - Concealed Overhead Closer & Floor Pivot

### Sidelite header assembly 'B'



- 2
- 2.1 Measure and cut sidelite header:
    - Sidelite header length = (extrusion to extrusion) - (clear opening + 1-3/4")
    - Example for a 36" wide door: Sidelite header length = (Extrusion to Extrusion) - 37-3/4"
  - 2.2 Disassemble sidelite header parts.
  - 2.3 Pre-drill holes.

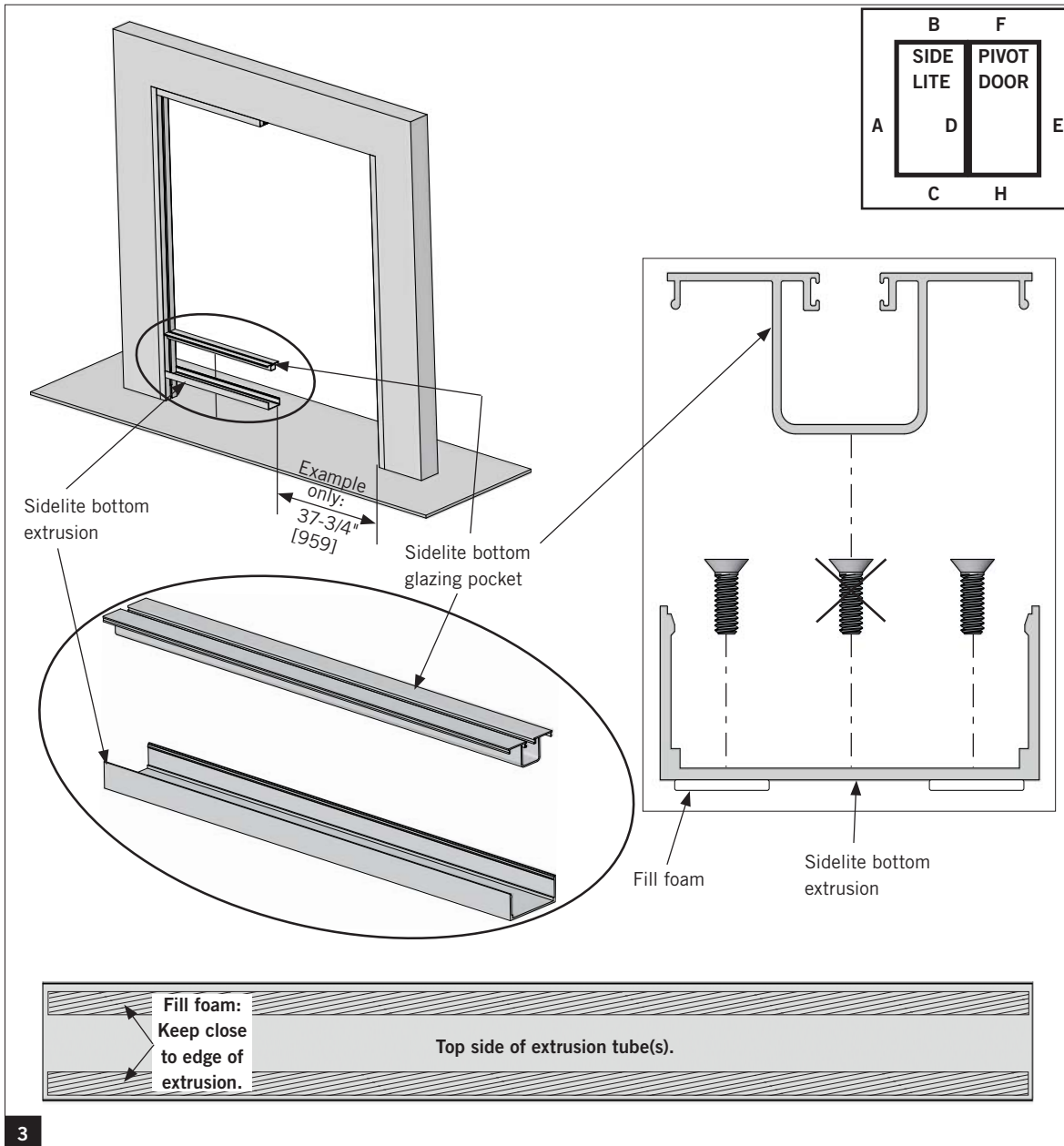
**NOTE: Offset screws from glazing pocket.**

**NOTE: Add fill foam where necessary.**

- 2.4 Align sidelite header extrusion with plumb line.
- 2.5 Secure sidelite header to frame.
- 2.6 Trim Dri-fit gaskets.
- 2.7 Snap glazing pocket into extrusion.

## OPTION 1 - Concealed Overhead Closer & Floor Pivot

### Sidelite sill assembly 'C'



3

#### 3.1 Measure and cut sidelite sill extrusion.

- Sill extrusion length = (extrusion to extrusion) - (clear opening + 1-3/4")
- Example for a 36" wide door: Sill extrusion length = (Extrusion to Extrusion) - 37-3/4"

#### 3.2 Disassemble sidelite sill extrusion parts.

#### 3.3 Pre-drill holes.

**NOTE: Offset screws from glazing pocket.**

**NOTE: Add fill foam where necessary.**

#### 3.4 Align sidelite bottom extrusion with plumb line.

#### 3.5 Secure bottom extrusion to frame.

#### 3.6 Snap glazing pocket into extrusion.

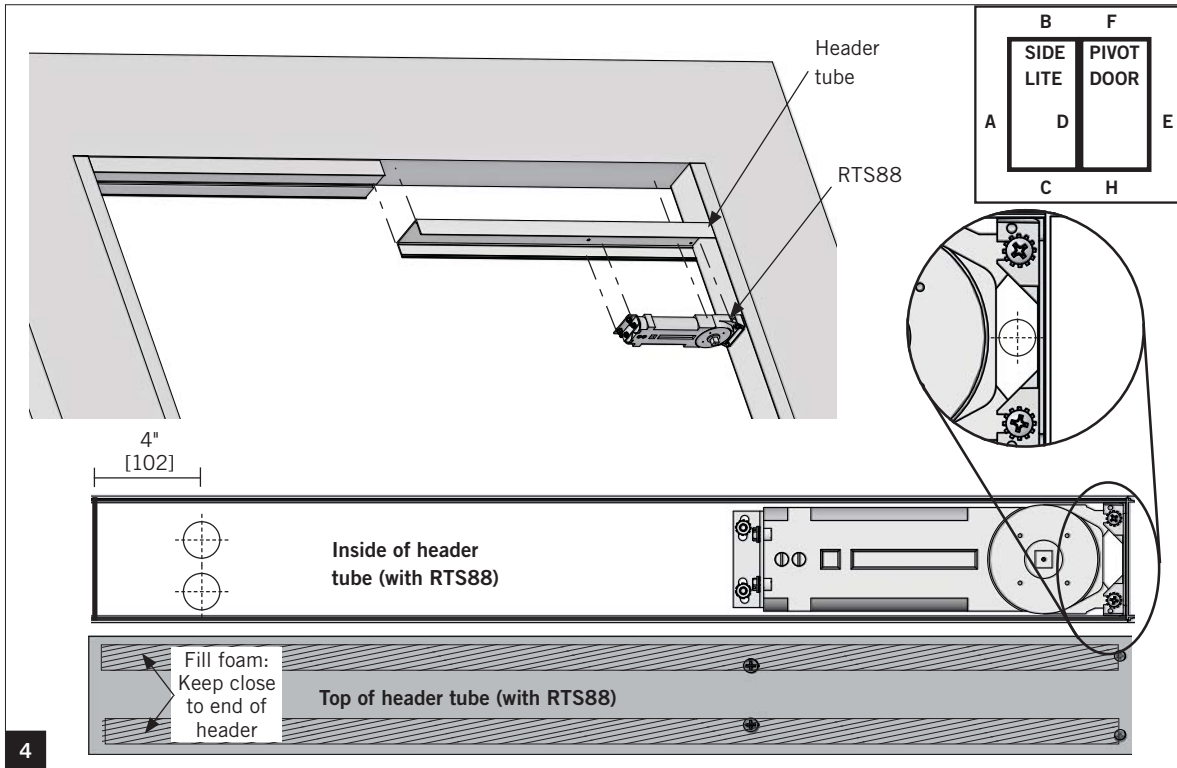
#### 3.7 Trim Dri-fit gaskets.

#### 3.8 Slide setting blocks into glazing pocket.

**NOTE: If using tempered laminated glass, remove one gasket.**

## OPTION 1 - Concealed Overhead Closer & Floor Pivot

Install header/top pivot 'F' (RTS88)  
(consult DORMA for other options)



- 4.1 Remove cover and closer from RTS header tube and pre-drill holes for installation. See image for hole locations.
- 4.2 Apply fill foam if necessary.
- 4.3 Secure header using appropriate fasteners.

**NOTE:** Always ensure the proper fastener and adequate number of fixing points for your specific field conditions.

- 4.4 Secure closer inside header tube using included fasteners.

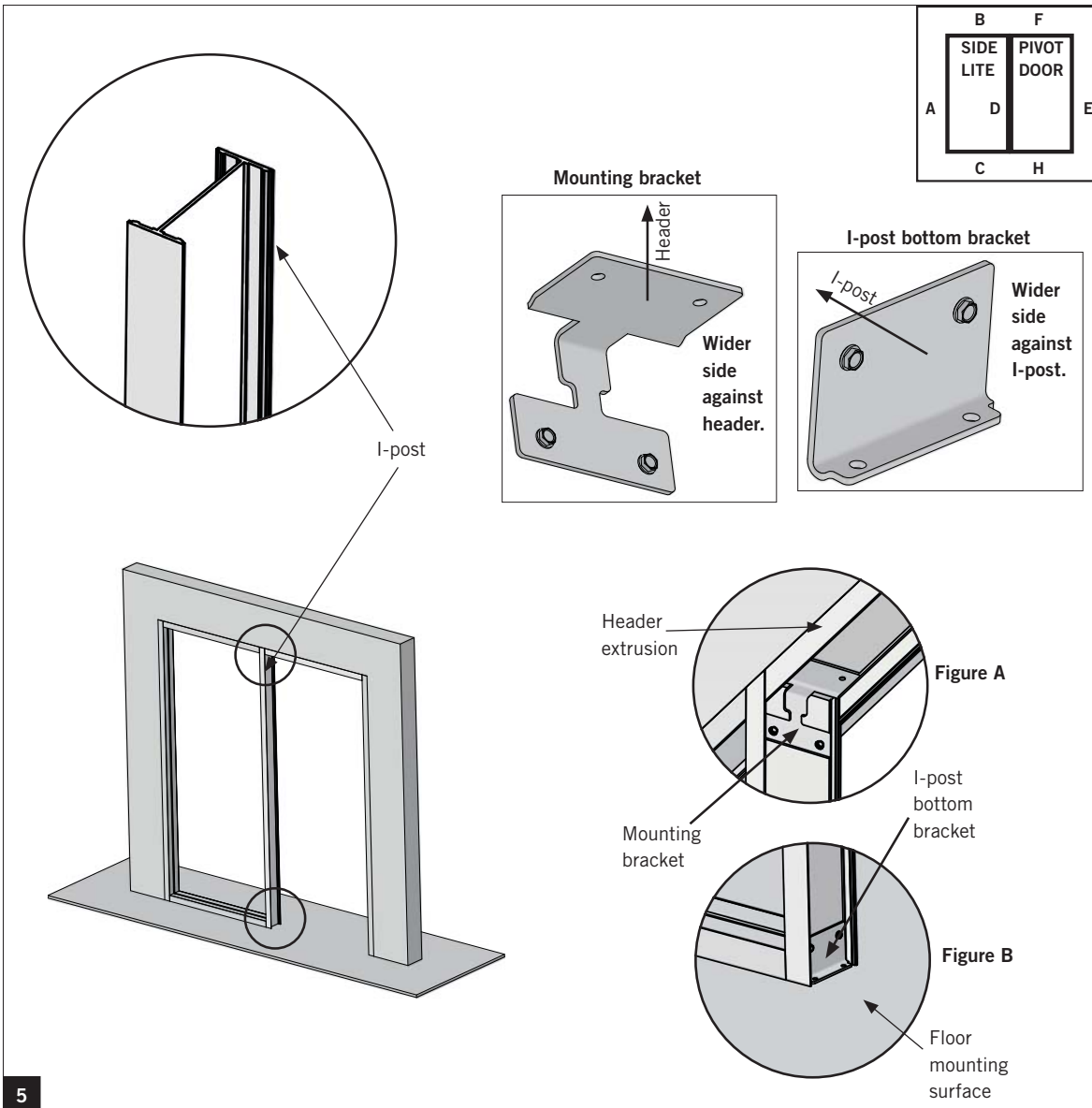
**NOTE:** Ensure closer is plumb and level.

**NOTE:** Secure mounting screws to header prior to securing it to overhead structure.



## OPTION 1 - Concealed Overhead Closer & Floor Pivot

### Mounting bracket and I-post mounting bracket

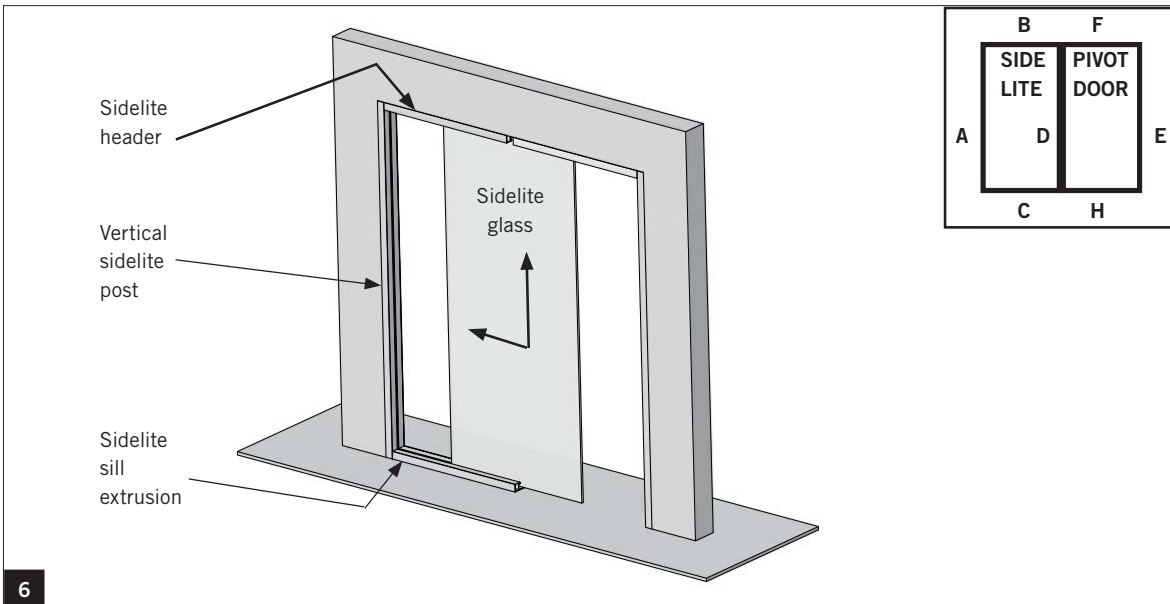


5

- 5.1 Disassemble I-post.
- 5.2 Measure and cut post at full height.
- 5.3 Trim Dri-fit gaskets.
- 5.4 Align and plumb I-post in place.
- 5.5 Align mounting bracket and I-post bottom bracket to strike-side of I-post. See Figure A & B above for proper orientation.
- 5.6 Secure brackets to I-post ONLY with self-tapping screws, provided.
- 5.7 Pre-drill holes through:
  - Mounting bracket into header
  - I-post bottom bracket into floor mounting surface.
- 5.8 Remove I-post [with brackets attached]. (To be installed permanently in later step.)

## OPTION 1 - Concealed Overhead Closer & Floor Pivot

### Install sidelite glass panel



6

**6.1** Spray inside of each extrusion with glass cleaner:

- Sidelite header
- Vertical sidelite post
- Sidelite sill extrusion

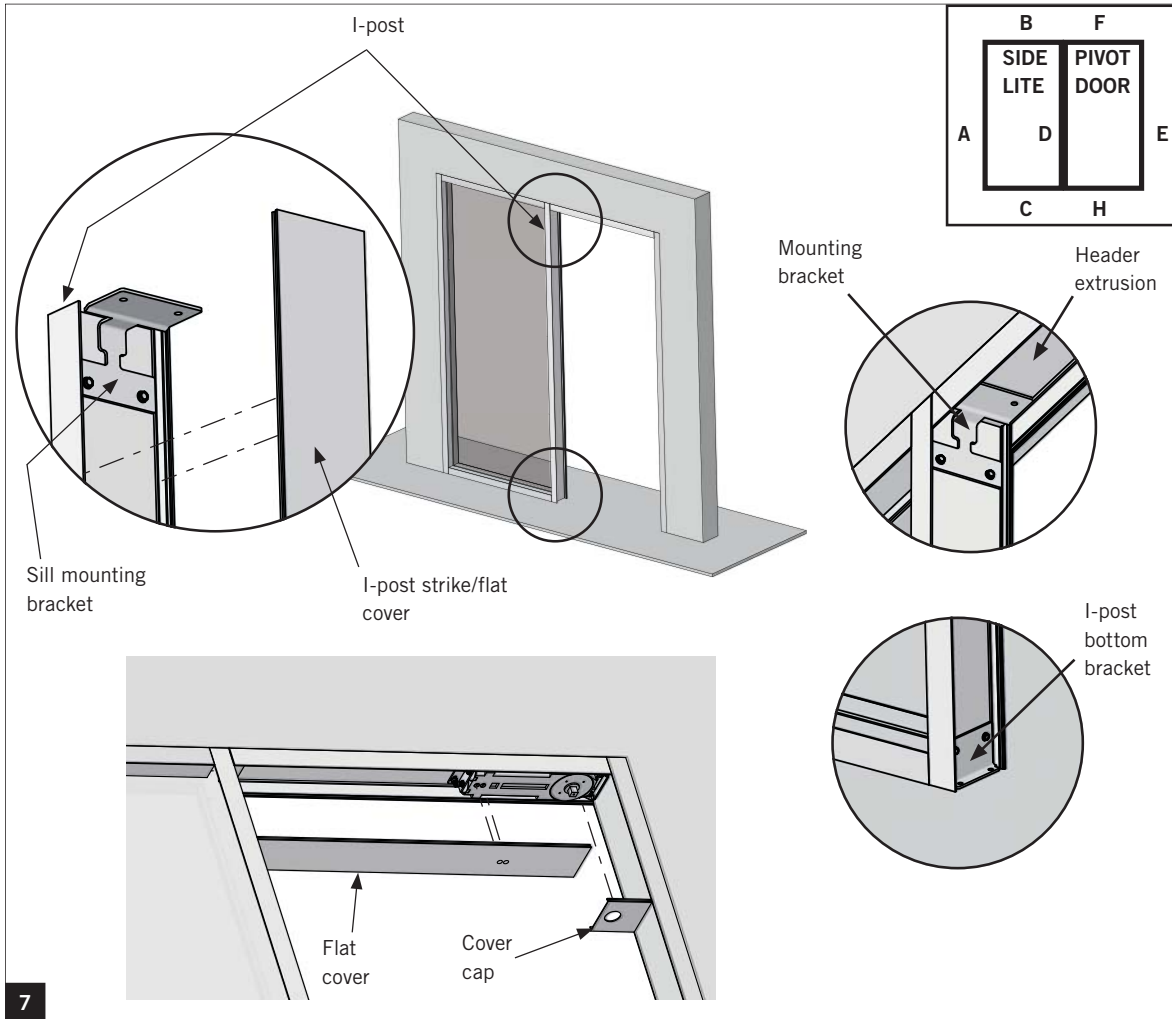
**6.2** Lift glass into sidelite header and down into sill extrusion.

**6.3** Slide glass into vertical sidelite post.

**NOTE:** If using tempered laminated glass, gently press glass panel against gasket and dispense silicone along full length of non-gasket side of sill extrusion.

## OPTION 1 - Concealed Overhead Closer & Floor Pivot

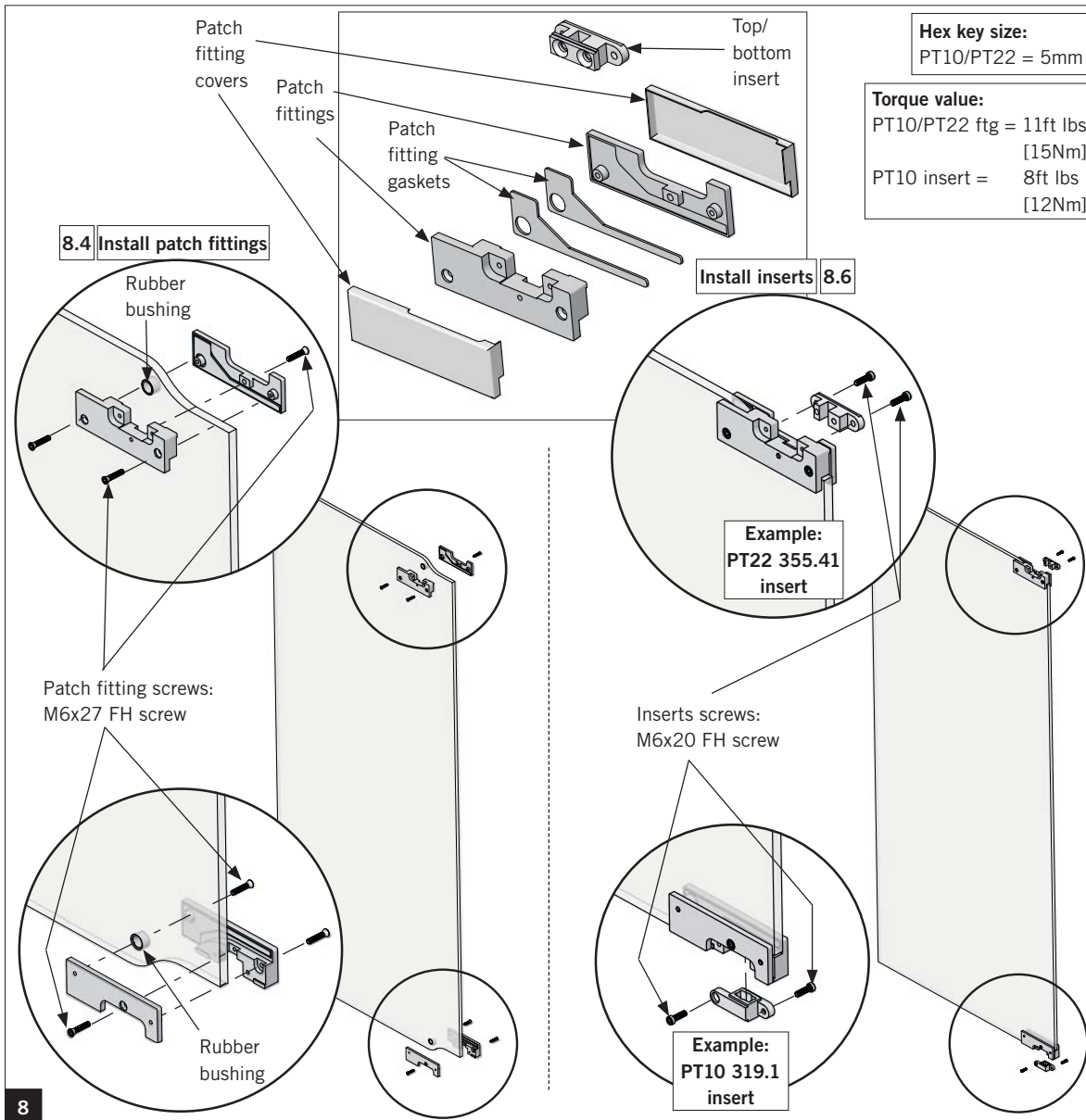
### Vertical strike post/I-post 'D'



- 7.1 Snap glazing pocket into I-post.
- 7.2 Trim Dri-fit gaskets.
- 7.3 Spray Dri-fit gaskets for ease of installing onto glass sidelite.
- 7.4 Secure I-post bottom bracket to floor surface, with appropriate screws and anchors for the specific application.
- 7.5 Secure mounting bracket into header extrusion.
- 7.6 Snap on I-post strike/flat cover.
- 7.7 Snap cover cap and header flat cover cap into place.

## OPTION 1 - Concealed Overhead Closer & Floor Pivot

Install top (PT22) and bottom (PT10) patch fittings  
(consult Dorma for other options)



**NOTE:** Ensure center line of pivot is 2-5/8" from edge of patch fitting.

**8.1** Completely separate patch fitting parts.

- Discard spacer blocks.
- Remove backing tape from gaskets.

**8.2** Secure gasket to inside of each patch fitting.

**8.3** Place rubber bushing inside hole cut-out in glass panel.

### Secure patch fittings:

**8.4** Properly align and level patch fitting on door.

**8.5** Secure with included fasteners through glass.

- **PT10/PT22 fittings:** Use an 5mm hex key and 11 ft lbs (15Nm) of force.

### Secure patch fitting inserts:

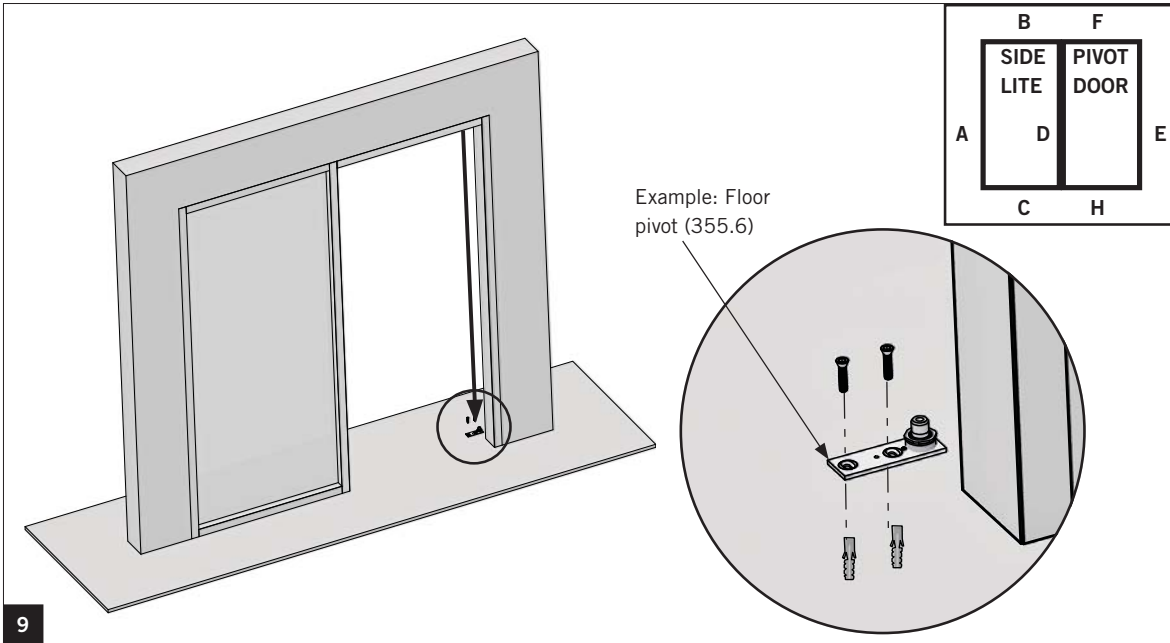
**8.6** Install inserts into patch fittings.

**8.7** Secure insert with included fasteners, alternating while tightening.

- **PT22 insert:** Use an 5 mm hex key and 11 ft lbs (15Nm) of force. **DO NOT ATTACH BACKER PLATE YET.**
- **PT10 insert:** Use an 5 mm hex key and 8 ft lbs (12Nm) of force.

## OPTION 1: Concealed Overhead Closer & Floor Pivot

Install floor pivot 'H' (355.6 adjustable floor pivot)  
(consult Dorma for other options)

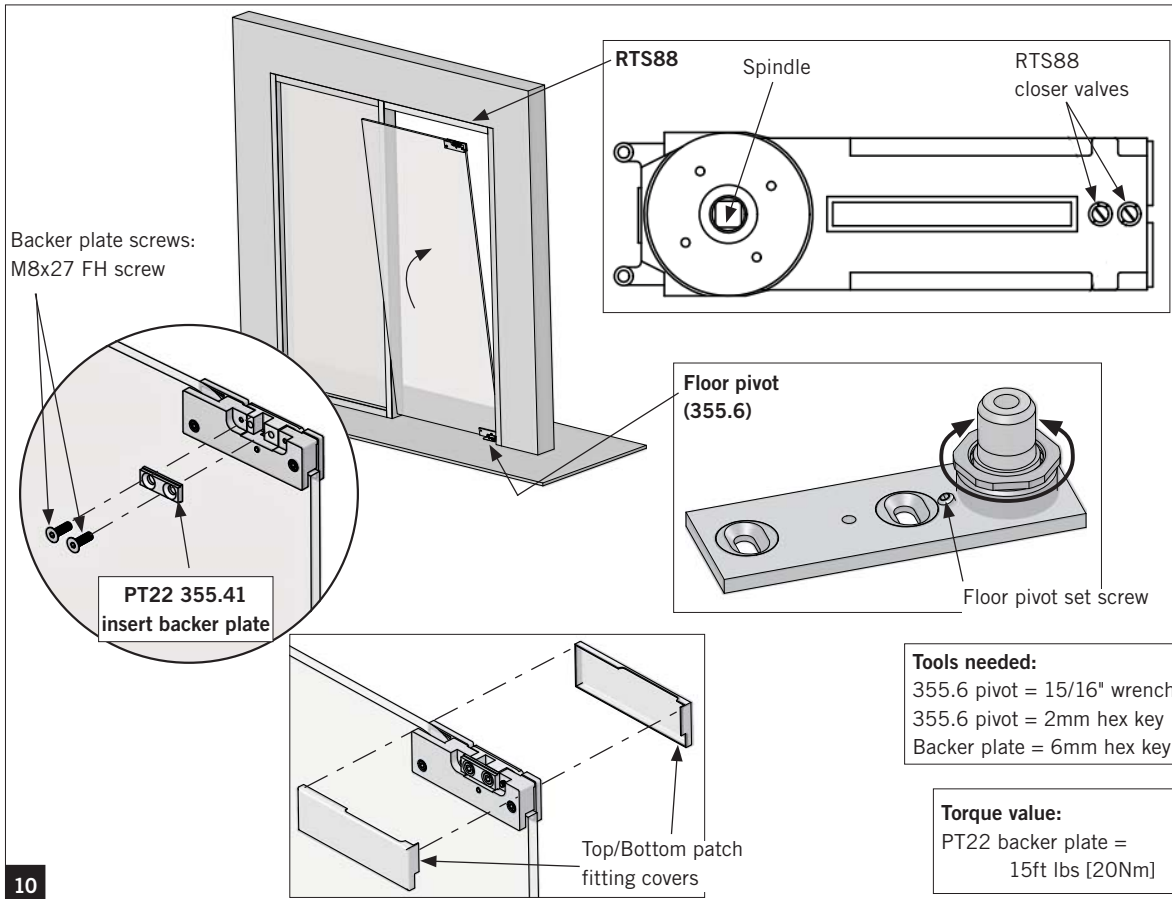


9

- 9.1 Using an appropriate plumbing tool, align the floor pivot with the location of the RTS spindle.
- 9.2 Bore a 1" [25mm] diameter hole 3/8" [10mm] deep.
- 9.3 Secure floor pivot to floor using appropriate screws and anchors for the specific application.

## OPTION 1: Concealed Overhead Closer & Floor Pivot

### Install glass door panel



10

#### Install door onto 355.6 floor pivot:

10.1 Place bottom patch fitting onto floor pivot spindle.

#### OPTION 1: Install door into concealed overhead closer (non-hold open): (For ease of loading door.)

10.2 Close both valves on RTS88 closer.

10.3 Using a wrench, rotate spindle towards swing of the door (fully open) until it stops.

10.4 Tip glass up and onto header spindle.

**NOTE: Ensure door is in proper orientation.**

10.5 Secure PT22 (355.41) backer plate with provided fasteners; first tighten screws snug against spindle, then fully tighten alternating each.

- Use a 6mm hex key and 15 ft lbs [20Nm] force.
- Ensure backer plate is flush against spindle.

#### OPTION 2: Install door into concealed overhead closer (hold open): (For ease of loading door.)

10.2 Close both valves on RTS88 closer.

10.3 Open door to preset hold open position.

10.4 Tip glass up and onto header spindle.

10.5 Secure PT22 (355.41) backer plate with provided fasteners; first tighten screws snug against spindle, then fully tighten alternating each.

- Use a 6mm hex key and 15 ft lbs [20Nm] force.
- Ensure backer plate is flush against spindle.

#### Adjust door height:

10.6 Adjust floor pivot spindle to adjust for door height.

- Spin adjustable floor pivot (355.6) spindle up or down until, using 15/16" wrench, until correct door height is met.
- Tighten set screw, using 2mm hex key, to secure spindle in position.

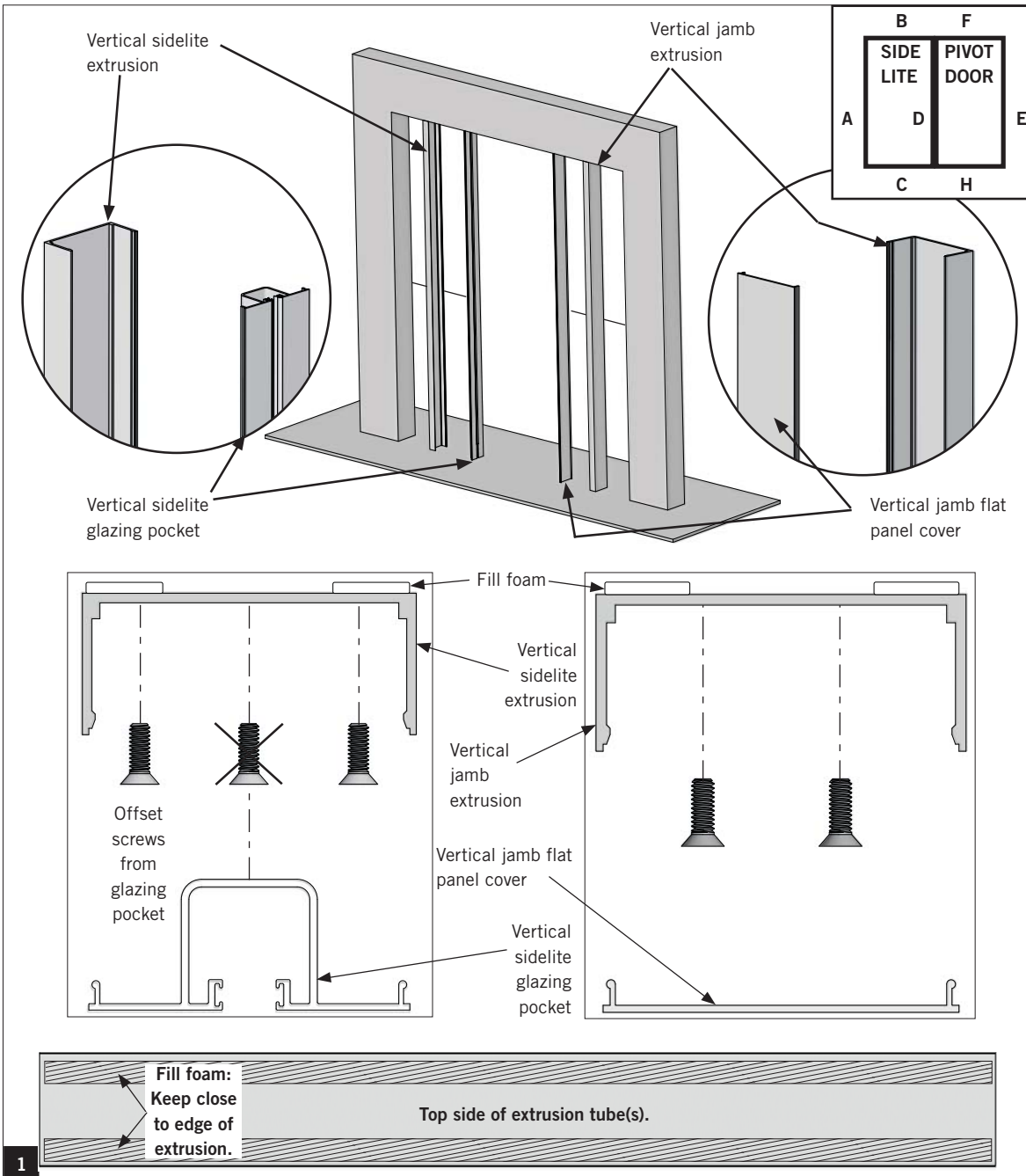
**NOTE: Ensure set screw is fully engaged with spindle. If set screw is tightened properly, spindle should NOT rotate.**

- Secure floor pivot cover with included fastener.

10.7 Snap covers onto both sides of patch fittings.

## OPTION 2 - PURE Enclose® System: Free Swing: Top Pivot (PT21 Walking Beam Pivot) & Floor Pivot (355.6)

### Vertical sidelite post 'A' & Vertical jamb post 'E'



- 1.1 Measure and cut channel at full height.
  - 1.2 Disassemble post parts.
  - 1.3 Pre-drill holes.
- NOTE: Offset screws from glazing pocket.**
- NOTE: Add fill foam where necessary.**
- 1.4 Align channel with plumb line.
  - 1.5 Secure channel to frame.

#### Vertical sidelite post 'A':

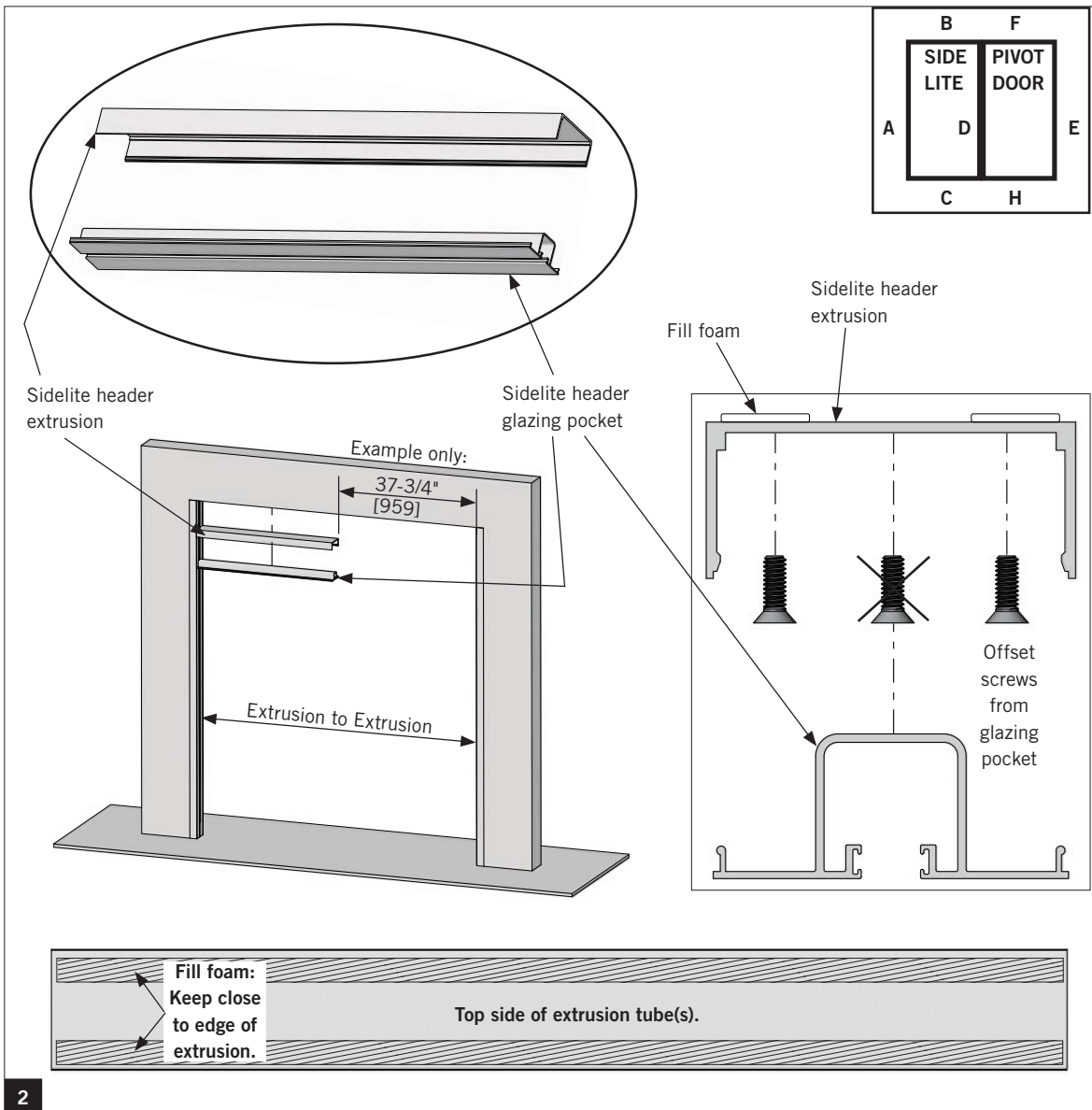
- 1.6 Trim Dri-fit® gaskets.
- 1.7 Snap glazing pocket into extrusion.

#### Vertical jamb post 'E':

- 1.8 Snap on flat panel cover.

## OPTION 2 - Free Swing: Top Pivot & Floor Pivot

### Sidelite header assembly 'B'



#### 2.1 Measure and cut sidelite header:

- Sidelite header length = (extrusion to extrusion) - (clear opening + 1-3/4")
- Example for a 36" wide door: Sidelite header length = (Extrusion to Extrusion) - 37-3/4"

#### 2.2 Disassemble sidelite header parts.

#### 2.3 Pre-drill holes.

**NOTE: Offset screws from glazing pocket.**

**NOTE: Add fill foam where necessary.**

#### 2.4 Align sidelite header extrusion with plumb line.

#### 2.5 Secure sidelite header to frame.

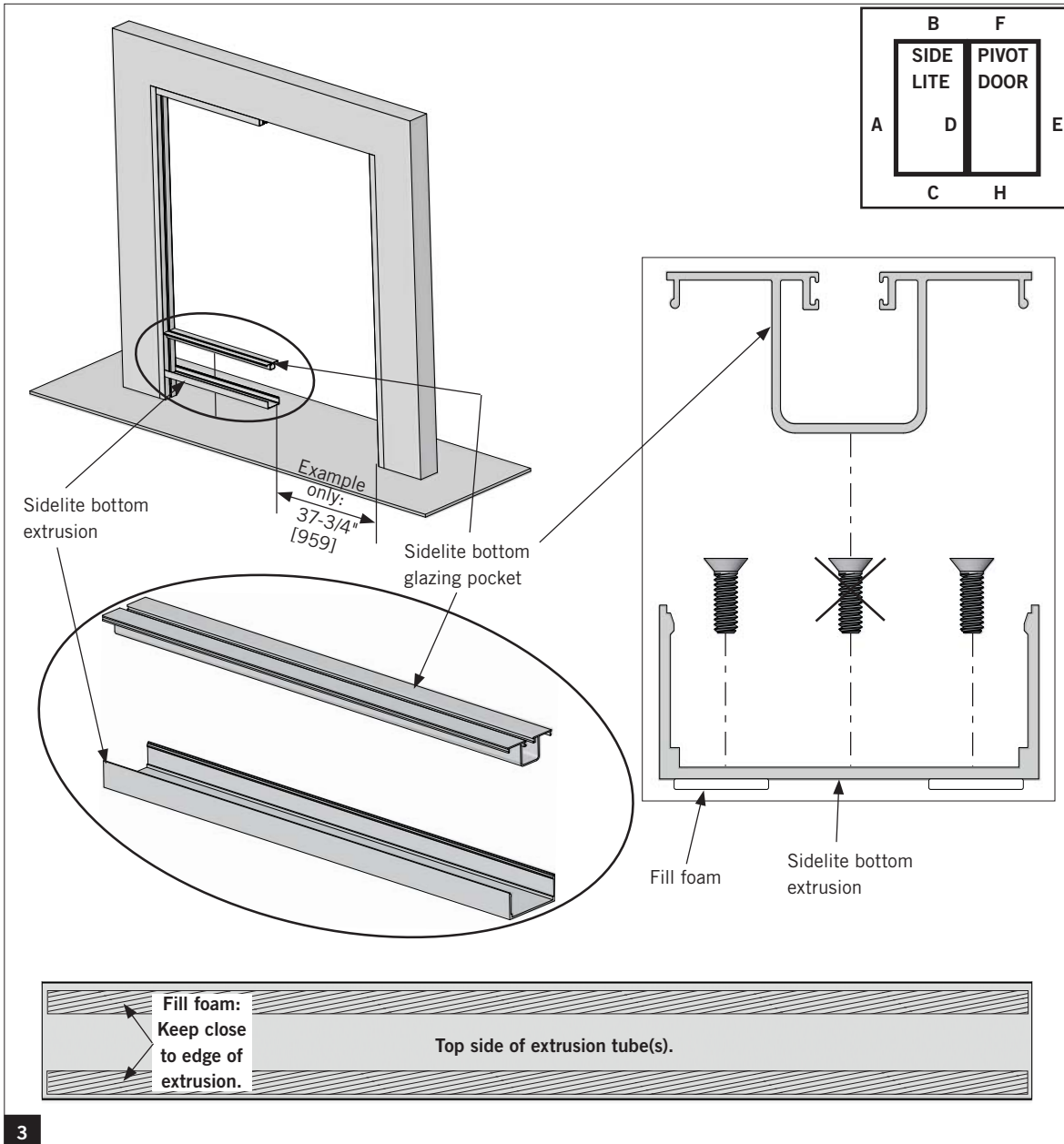
#### 2.6 Trim Dri-fit gaskets.

#### 2.7 Snap glazing pocket into extrusion.



## OPTION 2 - Free Swing: Top Pivot & Floor Pivot

### Sidelite sill assembly 'C'



3

3.1 Measure and cut sidelite sill extrusion.

- Sill extrusion length = (extrusion to extrusion) - (clear opening + 1-3/4")
- Example for a 36" wide door: Sill extrusion length = (Extrusion to Extrusion) - 37-3/4"

3.2 Disassemble sidelite sill extrusion parts.

3.3 Pre-drill holes.

**NOTE:** Offset screws from glazing pocket.

**NOTE:** Add fill foam where necessary.

3.4 Align sidelite bottom extrusion with plumb line.

3.5 Secure bottom extrusion to frame.

3.6 Snap glazing pocket into extrusion.

3.7 Trim Dri-fit gaskets.

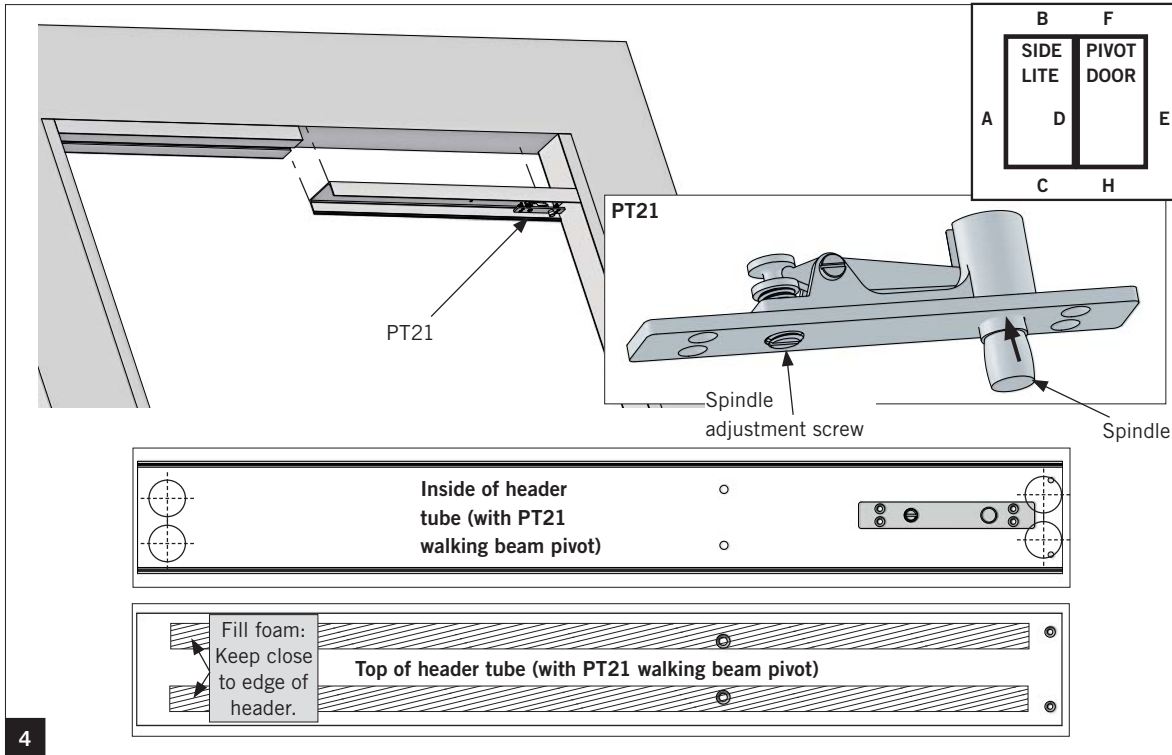
3.8 Slide setting blocks into glazing pocket.

**NOTE:** If using tempered laminated glass, remove one gasket.

## OPTION 2 - Free Swing: Top Pivot & Floor Pivot

Install top pivot (PT21)

(consult DORMA for other options)



4

- 4.1 Remove cover from header tube and pre-drill holes for installation. See image for hole locations.
- 4.2 Apply fill foam if necessary.
- 4.3 Secure header using appropriate fasteners.

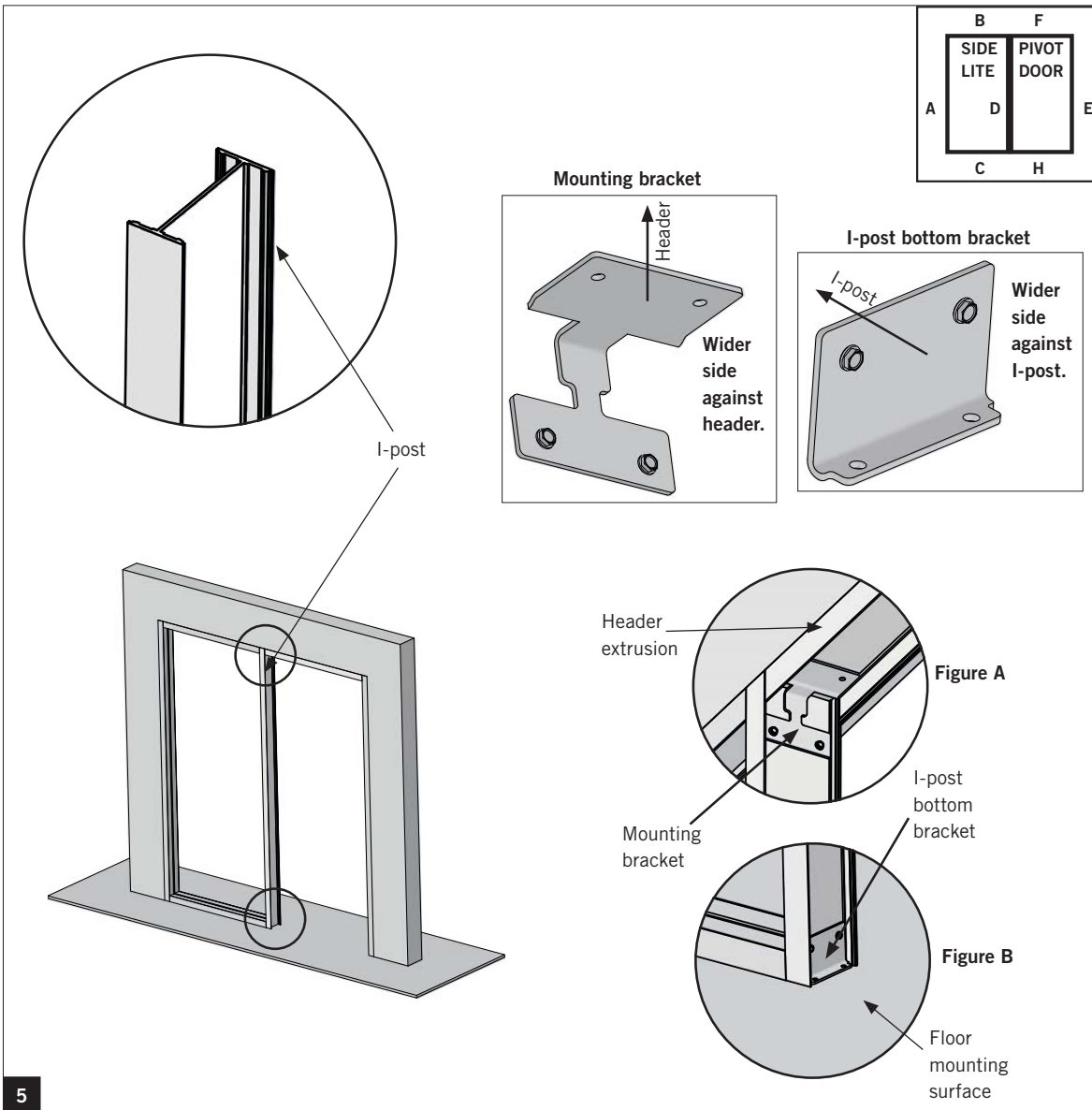
**NOTE: Always ensure the proper fastener and adequate number of fixing points for your specific field conditions.**

- 4.4 Raise walking beam pivot spindle up completely by rotating spindle adjustment screw.

**NOTE: Ensure closer is plumb and level.**

## OPTION 2 - Free Swing: Top Pivot & Floor Pivot

### Mounting bracket and I-post mounting bracket

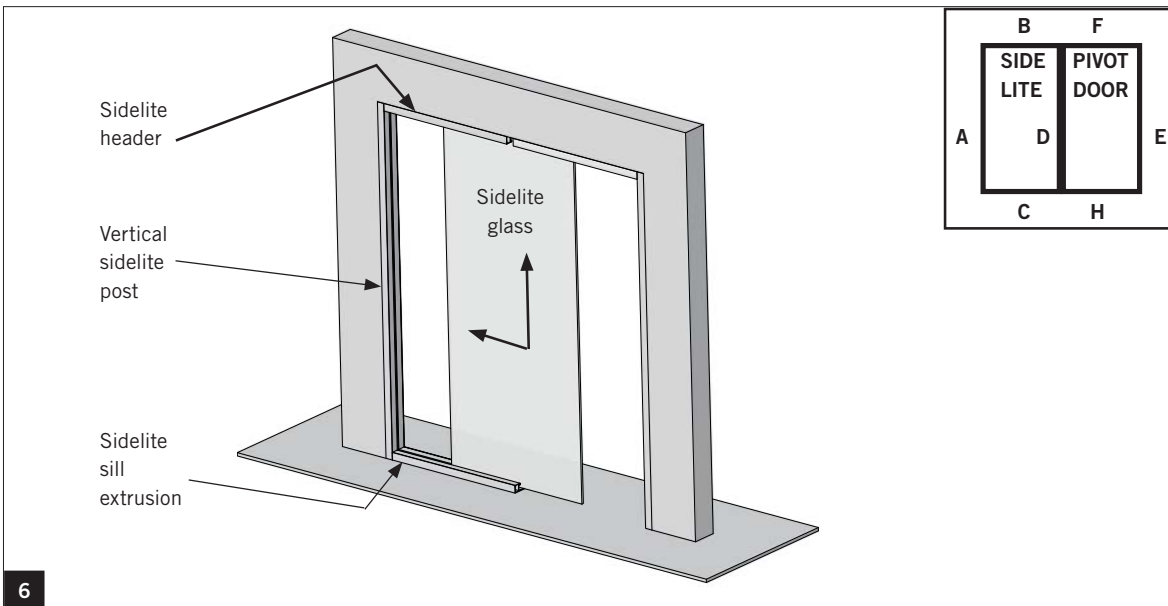


5

- 5.1 Disassemble I-post.
- 5.2 Measure and cut post at full height.
- 5.3 Trim Dri-fit gaskets.
- 5.4 Align and plumb I-post in place.
- 5.5 Align mounting bracket and I-post bottom bracket to strike-side of I-post. See Figure A & B above for proper orientation.
- 5.6 Secure brackets to I-post ONLY with self-tapping screws, provided.
- 5.7 Pre-drill holes through:
  - Mounting bracket into header
  - I-post bottom bracket into floor mounting surface.
- 5.8 **Remove** I-post [with brackets attached]. (To be installed permanently in later step.)

## OPTION 2 - Free Swing: Top Pivot & Floor Pivot

### Install sidelite glass panel



**6.1** Spray inside of each extrusion with glass cleaner:

- Sidelite header
- Vertical sidelite post
- Sidelite sill extrusion

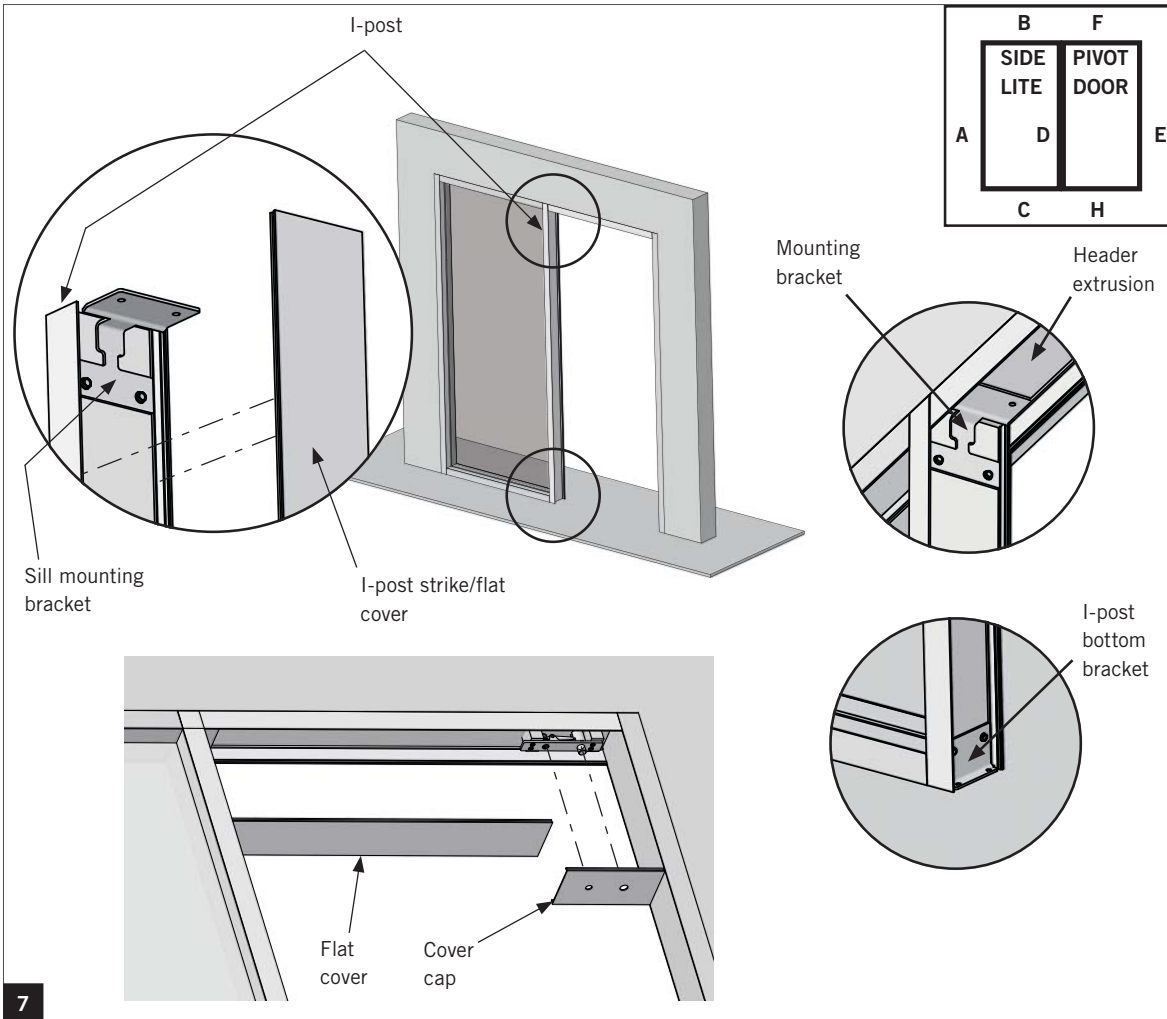
**6.2** Lift glass into sidelite header and down into sill extrusion.

**6.3** Slide glass into vertical sidelite post.

**NOTE:** If using tempered laminated glass, gently press glass panel against gasket and dispense silicone along full length of non-gasket side of sill extrusion.

## OPTION 2 - Free Swing: Top Pivot & Floor Pivot

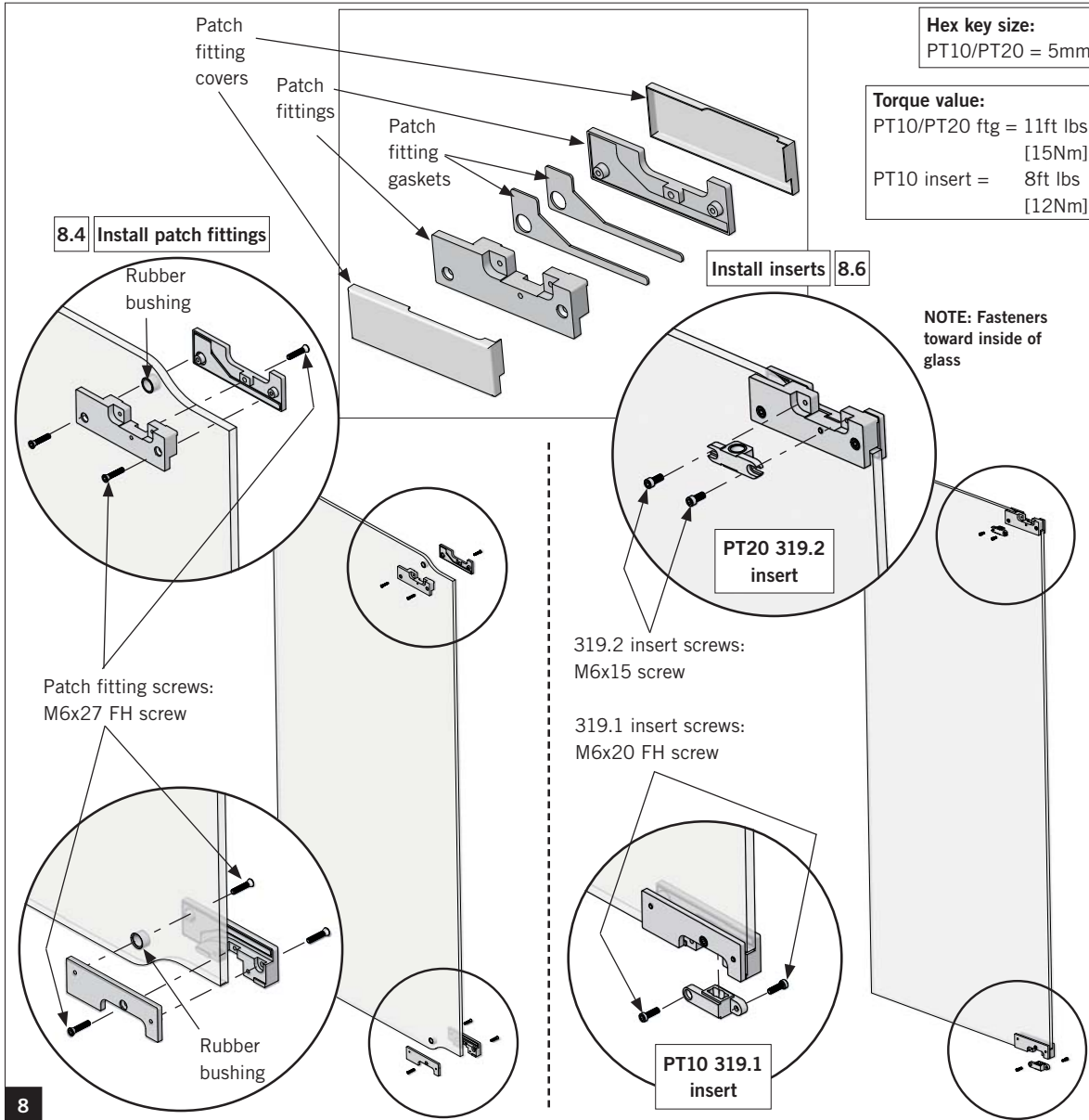
### Vertical strike post/I-post 'D'



- |   |   |
|---|---|
| <p><b>7.1</b> Snap glazing pocket into I-post.</p> <p><b>7.2</b> Trim Dri-fit gaskets.</p> <p><b>7.3</b> Spray Dri-fit gaskets for ease of installing onto glass sidelite.</p> <p><b>7.4</b> Secure I-post bottom bracket to floor surface, with appropriate screws and anchors for the specific application.</p> | <p><b>7.5</b> Secure mounting bracket into header extrusion.</p> <p><b>7.6</b> Snap on I-post strike/flat cover.</p> <p><b>7.7</b> Snap cover cap and header flat cover cap into place.</p> |
|---|---|

## OPTION 2: Free Swing: Top Pivot & Floor Pivot

Install top (PT20) and bottom (PT10) patch fittings  
(consult DORMA for other options)



**NOTE:** Ensure center line of pivot is 2-5/8" from edge of patch fitting.

**8.1** Completely separate patch fitting parts.

- Throw away spacer blocks.
- Remove backing tape from gaskets.

**8.2** Secure gasket to inside of each patch fitting.

**8.3** Place rubber bushing inside hole cut-out in glass panel.

### Secure patch fittings:

**8.4** Properly align and level patch fitting on door.

**8.5** Secure with included fasteners through glass.

- **PT10/PT20 fittings:** Use a 5mm hex key and 11 ft lbs (15Nm) of force.

### Secure patch fitting inserts:

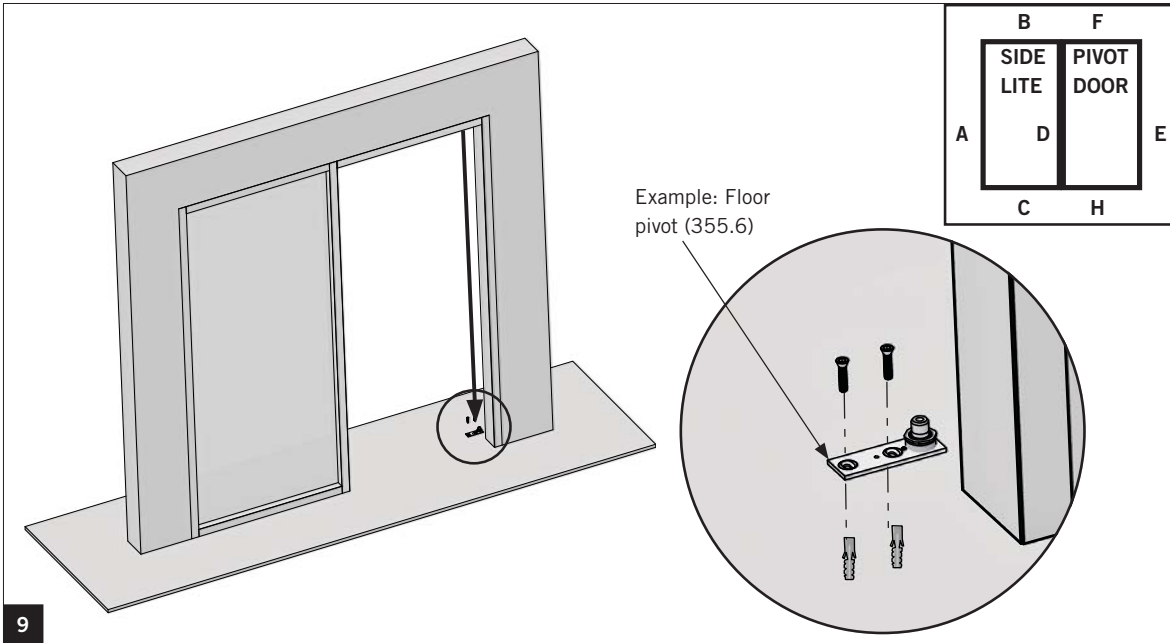
**8.6** Install inserts into patch fittings.

**8.7** Secure insert with included fasteners, alternating while tightening.

- **PT20 insert:** Use a 5 mm hex key and 11 ft lbs (15Nm) of force.
- **PT10 insert:** Use a 5 mm hex key and 8 ft lbs (12Nm) of force.

## OPTION 2: Free Swing: Top Pivot & Floor Pivot

Install floor pivot 'H' (355.6 adjustable floor pivot)  
(consult Dorma for other options)



9

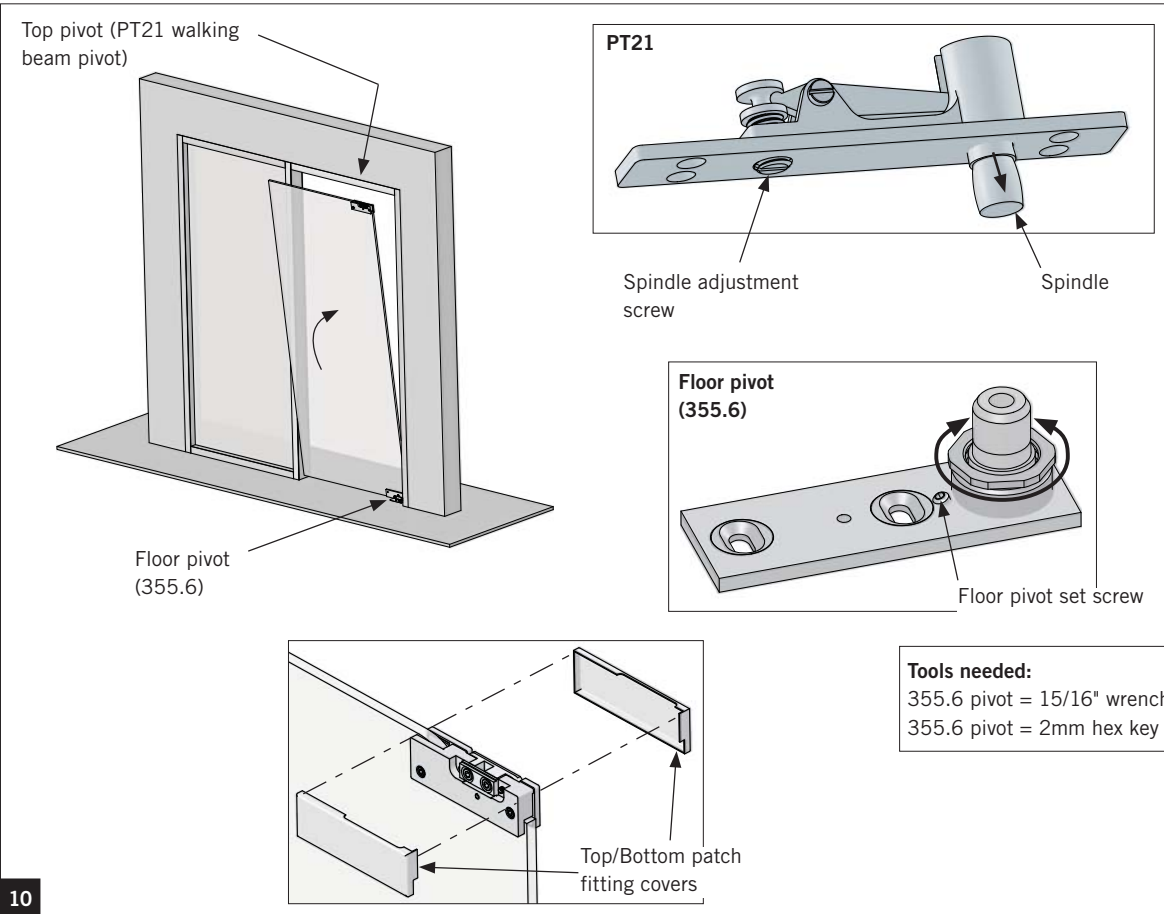
**9.1** Using an appropriate plumbing tool, align the PT21 walking beam pivot spindle with the location of the bottom pivot.

**9.2** Bore a 1" [25mm] diameter hole 3/8" [10mm] deep.

**9.3** Secure floor pivot to floor using appropriate screws and anchors for the specific application.

## OPTION 2: Free Swing: Top Pivot & Floor Pivot

### Install glass door panel



10

#### Install door onto 355.6 floor pivot:

10.1 Place bottom patch fitting onto floor pivot spindle.

#### Install door into top pivot (PT21 walking beam pivot):

10.2 Tip glass up vertically in line with pivot spindle.

10.3 Rotate PT21 pin down into patch fitting insert by rotating the pin adjustment screw.

#### Adjust door height:

10.4 Adjust floor pivot spindle to adjust for door height.

- Spin adjustable floor pivot (355.6) spindle up or down, using 15/16" wrench, until correct door height is met.
- Tighten set screw, using 2mm hex key, to secure spindle in position.

**NOTE: Ensure set screw is fully engaged with spindle. If set screw is tightened properly, spindle should NOT rotate.**

- Secure floor pivot cover with included fastener.

10.5 Snap covers onto both sides of patch fittings.





DORMA USA, INC.  
DORMA DRIVE, DRAWER AC  
REAMSTOWN, PA 17567  
TOLL-FREE: 800-523-8483  
FAX: 800-274-9724  
WWW.DORMA.COM